



Pass-through letterbox  
for mounting in  
masonry Siedle Classic  
GU CL BD2A 01 B-0

210007740-00

---

## Product description

Boîtier pour le montage encastré. Housing for flush-mounting. Rear removal door in white, opening downwards, with cylinder lock, nameplate and inspection window. Suitable for mounting in masonry (dry masonry) made of hot-dip galvanized sheet steel, 0.8 mm, in inclined 45° model, extendable from 290 - 440 mm.

Matching housing must be ordered for each front panel.

---

## Specifications

Dimensions (mm) W x H x D: 293 x 282 x 290-440

---

## Article information

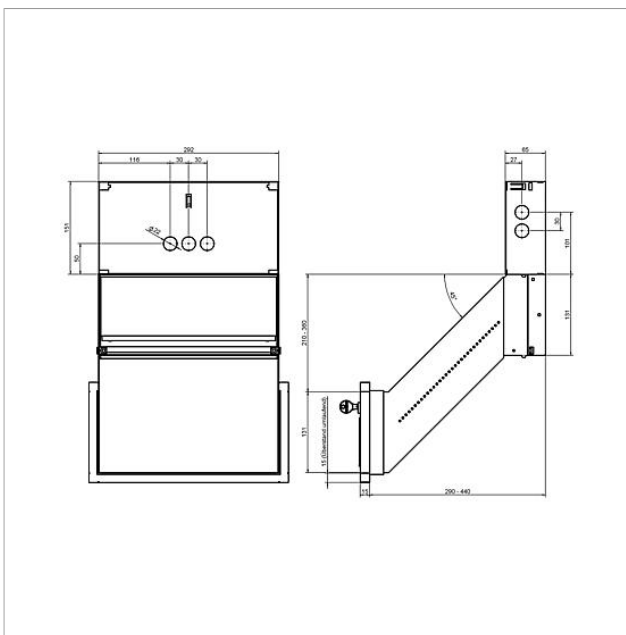
Article designation	Article description	Colour	KGAP article no.
GU CL BD2A 01 B-0	Pass-through letterbox for mounting in masonry Siedle Classic	Hot-dip galvanized sheet steel	D 210007740-00



Pass-through letterbox  
for mounting in  
masonry Siedle Classic  
GU CL BD2A 01 B-0

210007740

Page 2





Pass-through letterbox  
for mounting in  
masonry Siedle Classic  
GU CL BD2A 01 B-0

210007740

Page 3

---

Siedle Classic Flush-mount housing

Product information

718 kB

[Download](#)

Declaration of Conformity

140 kB

[Download](#)

Additional information

109 kB

[Download](#)