



Pass-through letterbox
for mounting in
masonry Siedle Classic
GU CL BD2 01

210007739-00

Product description

Boîtier pour le montage encastré. Housing for flush-mounting. Rear removal door in white, opening downwards, with cylinder lock, nameplate and inspection window. Suitable for mounting in masonry (dry masonry) made of hot-dip galvanized sheet steel, 0.8 mm, in inclined 45° model, extendable from 290 - 440 mm.

Matching housing must be ordered for each front panel.

Specifications

Dimensions (mm) W x H x D: 293 x 151 x 290-440

Article information

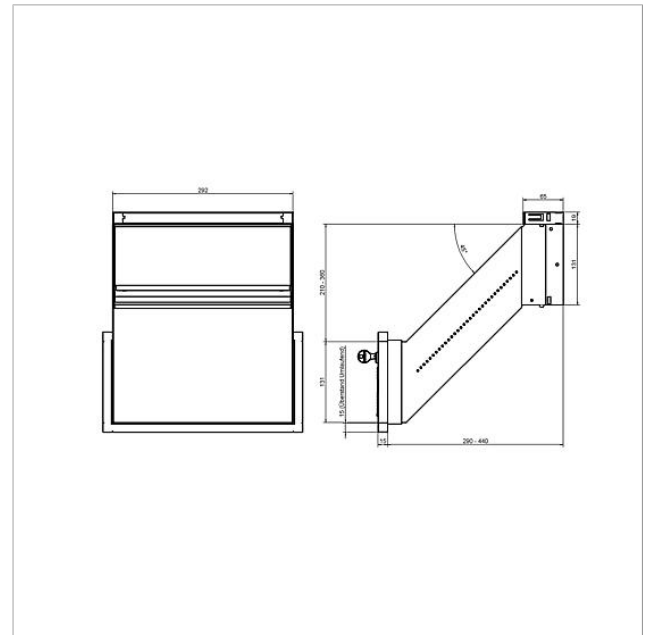
Article designation	Article description	Colour	KGAP article no.
GU CL BD2 01	Pass-through letterbox for mounting in masonry Siedle Classic	Hot-dip galvanized sheet steel	D 210007739-00



Pass-through letterbox
for mounting in
masonry Siedle Classic
GU CL BD2 01

210007739

Page 2





Pass-through letterbox
for mounting in
masonry Siedle Classic
GU CL BD2 01

210007739

Page 3

Siedle Classic Flush-mount housing

Product information

718 kB

[Download](#)

Declaration of Conformity

140 kB

[Download](#)

Additional information

420 kB

[Download](#)