

Flush-mount housing  
Siedle Classic  
GU CL 07-0

210007738-00



---

## Product description

Housing for flush-mounting made of hot-dip galvanized sheet steel.

Matching housing must be ordered for each front panel.

---

## Specifications

Dimensions (mm) W x H x D: 154 x 362 x 65

---

## Article information

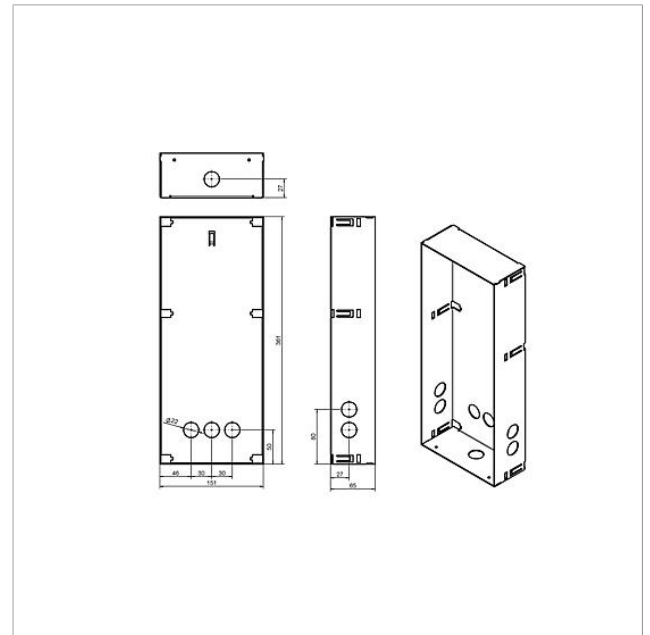
Article designation	Article description	Colour	KGSAP article no.
GU CL 07-0	Flush-mount housing Siedle Classic	Hot-dip galvanized sheet steel	D 210007738-00



Flush-mount housing  
Siedle Classic  
GU CL 07-0

210007738

Page 2





Flush-mount housing  
Siedle Classic  
GU CL 07-0

210007738

Page 3

---

Siedle Classic Flush-mount housing

Product information

718 kB

[Download](#)

Declaration of Conformity

140 kB

[Download](#)

Additional information

420 kB

[Download](#)