



Flush-mount housing
Siedle Classic
GU CL 08-0

210007737-00

Product description

Housing for flush-mounting made of hot-dip galvanized sheet steel.

Matching housing must be ordered for each front panel.

Specifications

Dimensions (mm) W x H x D: 154 x 388 x 65

Article information

Article designation	Article description	Colour/Material	KGSAP article no.
GU CL 08-0	Flush-mount housing Siedle Classic	Hot-dip galvanized sheet steel	D 210007737-00

Accessories

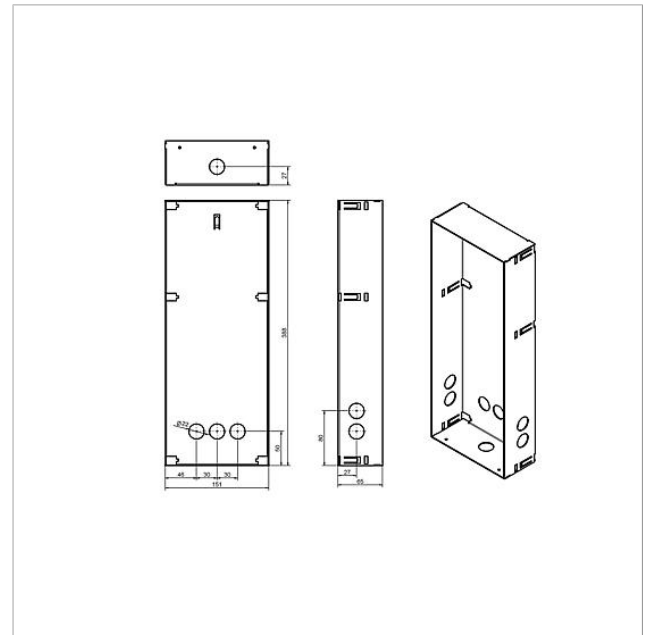
Article designation	Article description	Colour/Material	KG	SAP article no.
F CL A 08 B-0	Function unit audio door station Siedle Classic	Brushed stainless steel	D	210007712-00



Flush-mount housing
Siedle Classic
GU CL 08-0

210007737

Page 2





Flush-mount housing
Siedle Classic
GU CL 08-0

210007737

Page 3

Siedle Classic Flush-mount housing

Product information

718 kB

[Download](#)

Declaration of Conformity

140 kB

[Download](#)

Additional information

109 kB

[Download](#)