



Function unit pass-through letterbox
Siedle Classic
F CL BD3 01

210007719-00

Product description

Classic pass-through letterbox with stainless steel front, brushed V4A. The GU CL BD3 01 flush-mount housing is required for flush mounting.

Components:

- 1 pass-through flap

Specifications

Ambient temperature: -20 °C to +55 °C
Dimensions front panel (mm) W x H x D: 466 x 185 x 2

Article information

Article designation	Article description	Colour	K&SAP article no.
F CL BD3 01	Function unit pass-through letterbox Siedle Classic	Brushed stainless steel	D 210007719-00

Accessories

Article designation	Article description	Colour	KG	SAP article no.
GU CL BD3 01	Pass-through letterbox for mounting in masonry Siedle Classic	Hot-dip galvanized sheet steel	D	210007742-00
ZDS/CL	Pilfer safeguard	Black	D	200034998-00

Spare parts

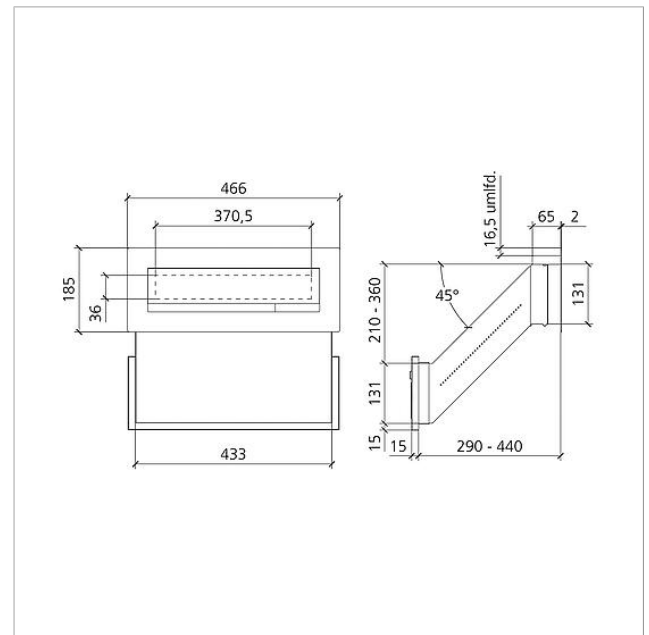
Article designation	Article description	Colour	KG	SAP article no.
BKV 611-...	Viewing window for removal door	Clear glass	E	200019641-00
BKV/RGA/RGF 611-...	Spare lock	Others	E	200029520-00
CL 02 Siedle Classic	Nameplate superstructure Letter flap	Clear glass	E	200029967-00



Function unit pass-through letterbox
Siedle Classic
F CL BD3 01

210007719

Page 2





Function unit pass-
through letterbox
Siedle Classic
F CL BD3 01

210007719

Page 3

Siedle Classic Installation instructions

F CL.... Siedle Classic

Product information

1,4 MB

[Download](#)

Declaration of Conformity

8,1 MB

[Download](#)

Additional information

420 kB

[Download](#)