



Function unit pass-through letterbox  
Siedle Classic  
F CL BD2 01

210007716-00

## Product description

Classic pass-through letterbox with stainless steel front, brushed V4A. The GU CL BD2 01 flush-mount housing is required for flush mounting.

Components:

- 1 pass-through flap

## Specifications

Ambient temperature: -20 °C to +55 °C  
Dimensions front panel (mm) W x H x D: 312 x 171 x 2

## Article information

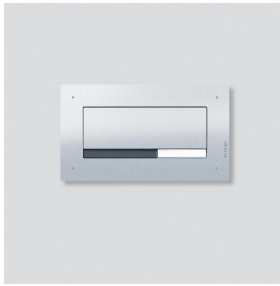
Article designation	Article description	Colour/Material	K&SAP article no.
F CL BD2 01	Function unit pass-through letterbox Siedle Classic	Brushed stainless steel	D 210007716-00

## Accessories

Article designation	Article description	Colour/Material	KG	SAP article no.
GU CL BD2 01	Pass-through letterbox for mounting in masonry Siedle Classic	Hot-dip galvanized sheet steel	D	210007739-00
ZDS/CL	Pilfer safeguard	Black	D	200034998-00

## Spare parts

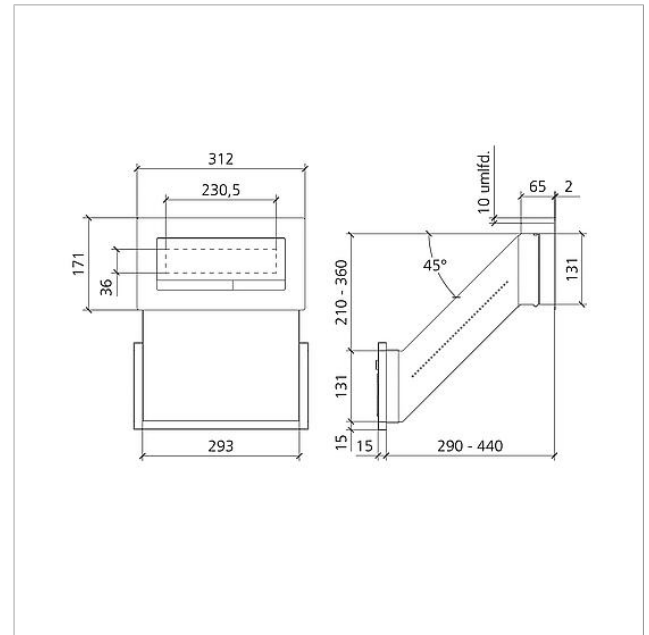
Article designation	Article description	Colour/Material	KG	SAP article no.
BKV 611-...	Viewing window for removal door	Clear glass	E	200019641-00
BKV/RGA/RGF 611-...	Spare lock	Others	E	200029520-00
CL 02 Siedle Classic	Nameplate superstructure Letter flap	Clear glass	E	200029967-00



Function unit pass-through letterbox  
Siedle Classic  
F CL BD2 01

210007716

Page 2





Function unit pass-  
through letterbox  
Siedle Classic  
F CL BD2 01

210007716

Page 3

---

Siedle Classic Installation instructions

F CL.... Siedle Classic

Product information

1,4 MB

[Download](#)

Declaration of Conformity

8,1 MB

[Download](#)

Additional information

109 kB

[Download](#)