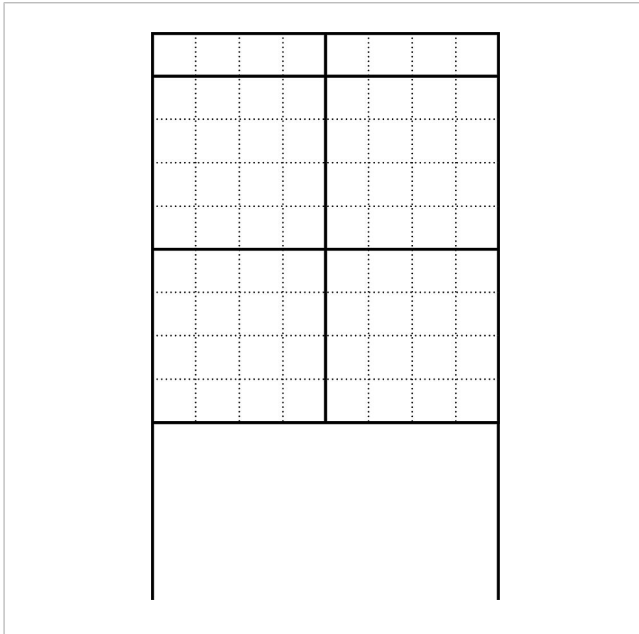


Free-standing letterbox
with upright columns
BG/SR 611-8/9-0 AG

210005172-00



Product description

Free-standing letterbox with standpipes to accommodate 4 letterbox or storage compartment modules. 8 module slots to accommodate info sign modules, surface area lights and function modules in the upper section. Intercom module and additional functional modules within easy ergonomical operating reach. Aluminium profile with base flange. Letterbox housing with aluminium rear panel with complete coating / paintwork finish. Complete with letterbox housing, standpipes and base flange with fixing accessories such as heavy-duty dowels, etc.

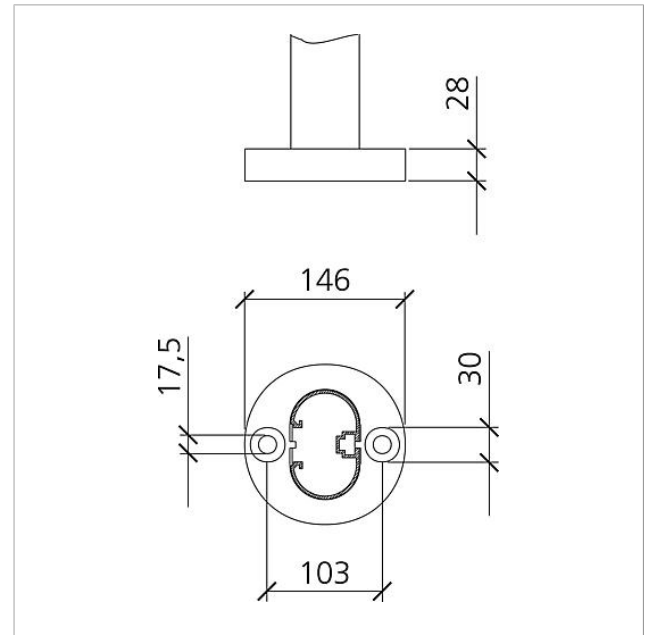
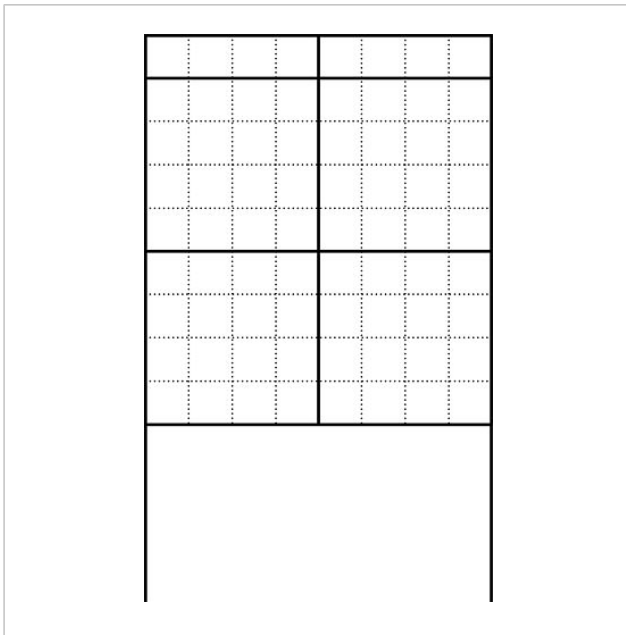
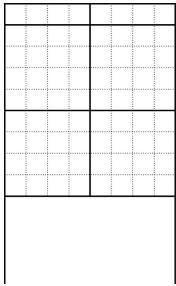
Specifications

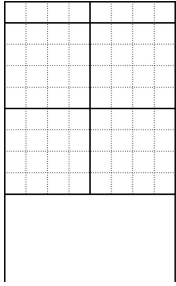
Dimensions (mm) W x H x D:	1047 x 1344 x 150
Weight (kg):	50

Free-standing letterbox
with upright columns
BG/SR 611-8/9-0 AG

210005172

Page 2





Free-standing letterbox
with upright columns
BG/SR 611-8/9-0 AG

210005172

Page 3

BG/SR 611-... Free-standing letterbox with upright columns	Product information	1,3 MB	Download
	Declaration of Conformity	140 kB	Download
	Additional information	140 kB	Download