



Access in-house
telephone
AHT 870-0 W
200042021-00

Product description

Access in-house telephone with door release button and 7 additional buttons with 2-colour status LED. All buttons are freely programmable. The display shows the graphic menu interface, but not a camera image. It is possible to upgrade to a fully functional video station.

With the functions calling, speech, door release, light, remote switching and call barring.

With the additional purchase of the AUV 870-... T, the AHT 870-... can be transformed into a fully valid video indoor device.

Performance features:

- Display 8.8 cm
- Input for storey call
- Output freely programmable
- Call differentiation between door calls, storey calls, and internal calls
- Switching functions
- Status messages
- Can be used with table-top accessory AZTV 870-... as a table-top device

Specifications

Operating voltage:	PoE in accordance with 802.3af
Ambient temperature:	+5 °C to +40 °C
Dimensions (mm) W x H x D:	106 x 278 x 51

Article information

Article designation	Article description	Colour/Material	KG SAP article no.
AHT 870-0 W	Access in-house telephone	White	F 200042021-00

Accessories

Article designation	Article description	Colour/Material	KG	SAP article no.
AUV 870-0 T	Access for video upgrade	White	F	200087907-00
AZA 870-0 W	Access surface-mount accessory	White	F	200044478-00
AZIO 870-0	Access input/output accessory	Others	F	200041846-00
AZTV 870-0 W	Access table-top accessory	White	F	200044477-00
HH 800-0	Hearing aid-compatible receiver	White	E	200087165-00



Access in-house
telephone
AHT 870-0 W

200042021

Page 2

Spare parts

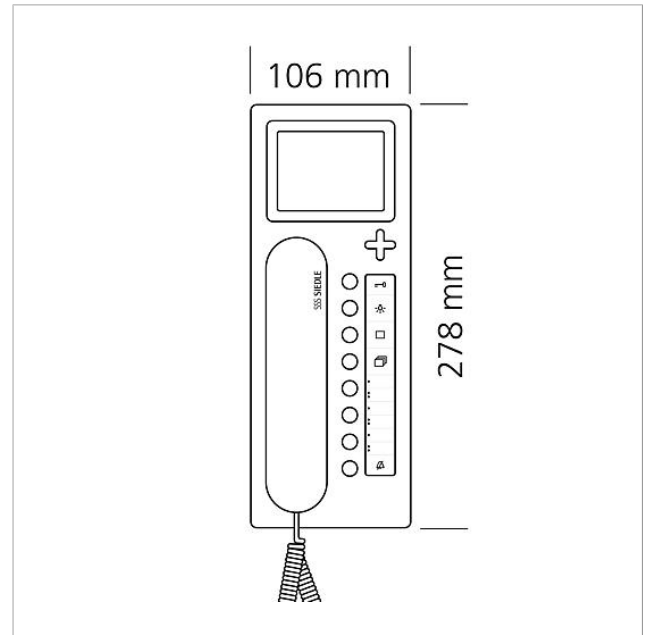
Article designation	Article description	Colour/Material	KG	SAP article no.
BTC/BTCV 850-..., HTC/HTCV 811-..., HT/HTV 840-...	Transparent cover	Clear glass	E	200029578-00
BTCV 850-...	Insert for button functions	White	E	200029576-00
HT 811/840/850/870-... W	Receiver with no-tangle cord	White	E	200029573-00



Access in-house
telephone
AHT 870-0 W

200042021

Page 3





Access in-house
telephone
AHT 870-0 W

200042021

Page 4

AHT 870-0 Access in-house telephone	Product information	1,7 MB	Download
AHT/AHTV 870-0 Access in-house telephone	Manual	3,9 MB	Download
AHT 870-..., AHTV 870-0 Access in-house telephone, Access video in-house telephone	Declaration of Conformity	858 kB	Download
Access Professional 5.1 (DE)	Commissioning instruction	2,2 MB	Download
Access Professional 5.0 (DE)	Commissioning instruction	2,1 MB	Download
	Commissioning instruction	2,4 MB	Download
	Planning and Installation	1,3 MB	Download
	Commissioning instruction	2,3 MB	Download
Access Professional 6.0 (DE)	Commissioning instruction	2,3 MB	Download
	Additional information	140 kB	Download
	System manual	6,6 MB	Download
	System manual	6,7 MB	Download
	Labeling service	0 Bytes	Download