

Free-standing letterbox
with upright columns
BG/SR 611-4/9-0 DG

200039363-00

Product description

Free-standing letterbox with standpipes to accommodate 2 letterbox or storage compartment modules. 4 module slots to accommodate info sign modules, surface area lights and function modules in the upper section. Intercom module and additional functional modules within easy ergonomical operating reach. Aluminium profile with base flange. Letterbox housing with aluminium rear panel with coating / paintwork finish. Complete with letterbox housing, standard pipes and base flange with fixing accessories such as heavy-duty dowels etc.

Specifications

Dimensions (mm) W x H x D: 647 x 1344 x 150
Weight (kg): 21.13

Article information

Article designation	Article description	Colour/Material	KGSAP article no.
BG/SR 611-4/9-0 DG	Free-standing letterbox with upright columns	Micaceous dark grey	B 200039363-00

Accessories

Article designation	Article description	Colour/Material	KG	SAP article no.
MA/BG 611-0	Mounting adapter	Silver	B	200018404-00
Vario 611 DG	Touch-up applicator	Micaceous dark grey	0	210007123-00
ZE/SR 611-0	Ground element accessory	Others	B	200018934-00
ZVM/KSA 611-0	Connecting sleeve accessory	Grey	C	200021207-00

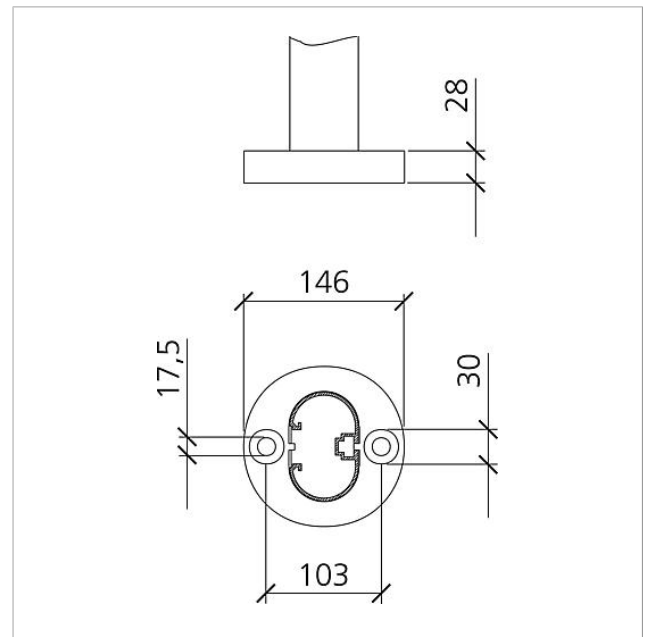
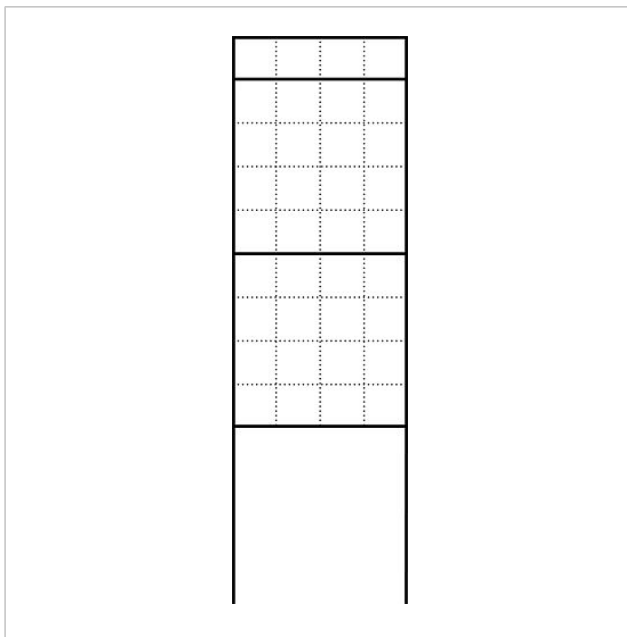
Spare parts

Article designation	Article description	Colour/Material	KG	SAP article no.
KS/KSF/KSFB/SR 61x-... DG	Screw cover	Micaceous dark grey	E	210005313-00

Free-standing letterbox
with upright columns
BG/SR 611-4/9-0 DG

200039363

Page 2





Free-standing letterbox
with upright columns
BG/SR 611-4/9-0 DG

200039363

Page 3

BG/SR 611-... Free-standing letterbox with upright columns	Product information	1,3 MB	Download
	Declaration of Conformity	140 kB	Download
	Additional information	140 kB	Download