

Free-standing letterbox  
with upright columns  
BG/SR 611-4/4-0 DG

200039347-00

## Product description

Free standing letterbox with standpipes to accommodate a letterbox module, storage compartment module, info sign modules or surface area lights and function modules. Height 1.30 m aluminium profile with base flange. Letterbox housing with aluminium rear panel with complete coating / paintwork finish. Complete with letterbox housing, standpipes and base flange with fixing accessories such as heavy-duty dowels, etc.

## Specifications

Dimensions (mm) W x H x D: 647 x 1344 x 150  
Weight (kg): 19

## Article information

Article designation	Article description	Colour/Material	KGSAP article no.
BG/SR 611-4/4-0 DG	Free-standing letterbox with upright columns	Micaceous dark grey	B 200039347-00

## Accessories

Article designation	Article description	Colour/Material	KG	SAP article no.
MA/BG 611-0	Mounting adapter	Silver	B	200018404-00
Vario 611 DG	Touch-up applicator	Micaceous dark grey	0	210007123-00
ZE/SR 611-0	Ground element accessory	Others	B	200018934-00
ZVM/KSA 611-0	Connecting sleeve accessory	Grey	C	200021207-00

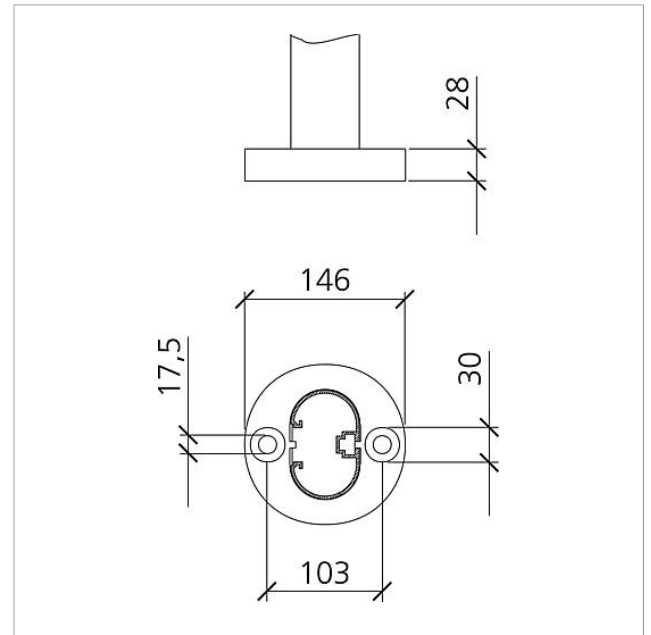
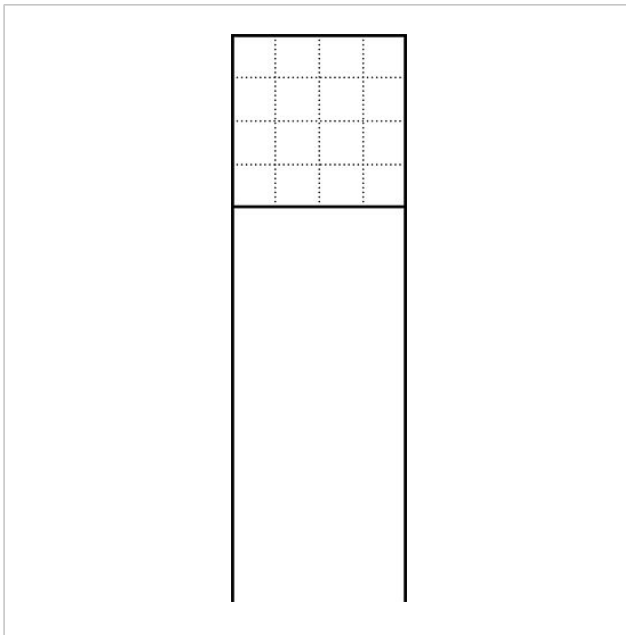
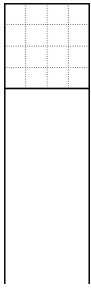
## Spare parts

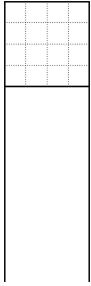
Article designation	Article description	Colour/Material	KG	SAP article no.
KS/KSF/KSFB/SR 61x-... DG	Screw cover	Micaceous dark grey	E	210005313-00

Free-standing letterbox  
with upright columns  
BG/SR 611-4/4-0 DG

200039347

Page 2





Free-standing letterbox  
with upright columns  
BG/SR 611-4/4-0 DG

200039347

Page 3

---

BG/SR 611-... Free-standing letterbox with upright columns	Product information	1,3 MB	<a href="#">Download</a>
	Declaration of Conformity	140 kB	<a href="#">Download</a>
	Additional information	140 kB	<a href="#">Download</a>