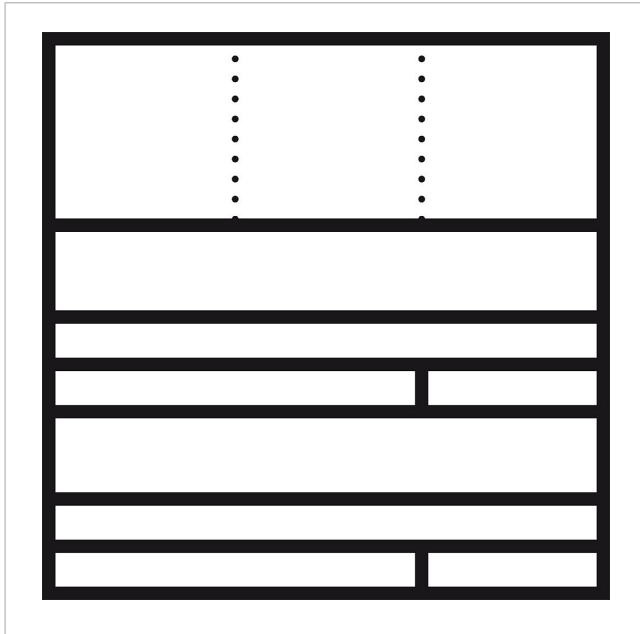


Surface-mounted space-saving letterbox
RGA 611-2/1-0 SM

200023262-00



Product description

Surface-mount housing with 2 integrated space-saving letterboxes with front removal. Ideally suited to accommodate several spacious letterboxes in a restricted area. 1 additional compartment to accommodate 3 function modules such as a door loudspeaker module.

Specifications

Dimensions (mm) W x H x D: 331 x 331 x 400
Weight (kg): 17.2

Article information

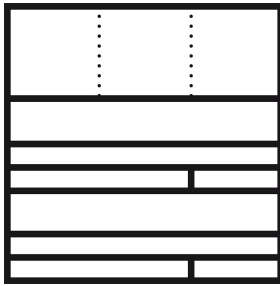
Article designation	Article description	Colour	KGSAP article no.
RGA 611-2/1-0 SM	Surface-mounted space-saving letterbox	Silver metallic	B 200023262-00

Accessories

Article designation	Article description	Colour	KG	SAP article no.
MA/RG 611-0	Mounting adapter	Others	B	200018415-00
Vario 611 SM	Touch-up applicator	Silver metallic	0	210007117-00

Spare parts

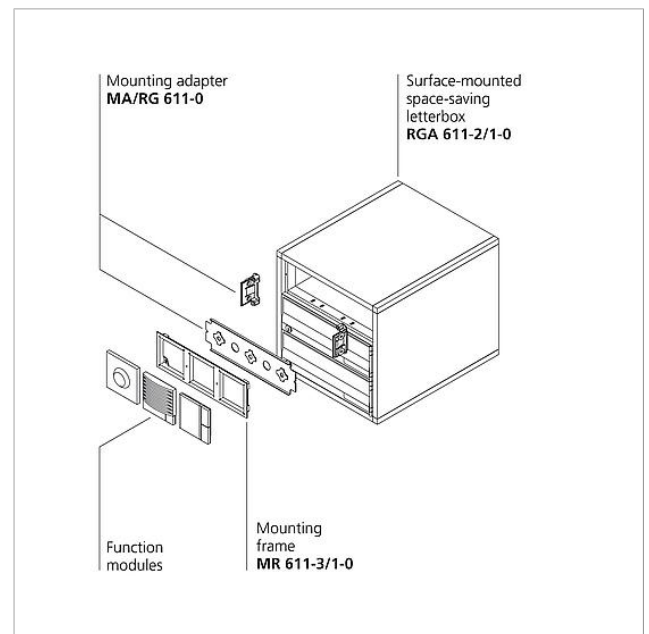
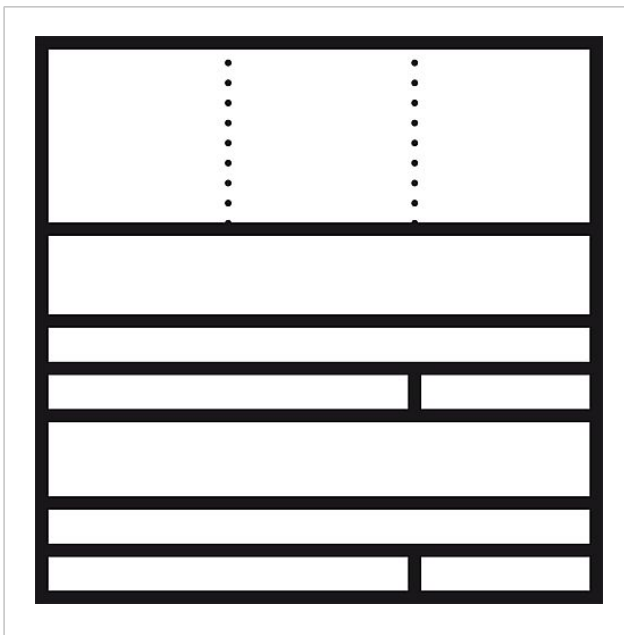
Article designation	Article description	Colour	KG	SAP article no.
BKV/RGA/RGF 611-...	Spare lock	Others	E	200029520-00
RGA/RGF 611-...	Complete nameplate	Clear glass	E	200029521-00
RGA/RGF 611-3/1 SM	Pass-through flap with removal door	Silver metallic	E	210006030-00

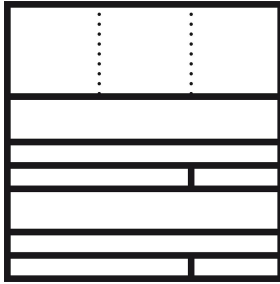


Surface-mounted space-saving letterbox
RGA 611-2/1-0 SM

200023262

Page 2





Surface-mounted space-saving letterbox
RGA 611-2/1-0 SM

200023262

Page 3

RGA 611-... Surface-mounted space-saving letterbox
Information and tips on care and cleaning

Product information

459 kB

[Download](#)

Product information

327 kB

[Download](#)

Declaration of Conformity

140 kB

[Download](#)

Additional information

109 kB

[Download](#)