

Free-standing letterbox  
with upright columns  
BG/SR 611-4/9-0 SM

200023157-00

## Product description

Free-standing letterbox with standpipes to accommodate 2 letterbox or storage compartment modules. 4 module slots to accommodate info sign modules, surface area lights and function modules in the upper section. Intercom module and additional functional modules within easy ergonomical operating reach. Aluminium profile with base flange. Letterbox housing with aluminium rear panel with coating / paintwork finish. Complete with letterbox housing, standard pipes and base flange with fixing accessories such as heavy-duty dowels etc.

## Specifications

Dimensions (mm) W x H x D: 647 x 1344 x 150  
Weight (kg): 20.85

## Article information

Article designation	Article description	Colour	KGSAP article no.
BG/SR 611-4/9-0 SM	Free-standing letterbox with upright columns	Silver metallic	B 200023157-00

## Accessories

Article designation	Article description	Colour	KG	SAP article no.
MA/BG 611-0	Mounting adapter	Silver	B	200018404-00
Vario 611 SM	Touch-up applicator	Silver metallic	0	210007117-00
ZE/SR 611-0	Ground element accessory	Others	B	200018934-00

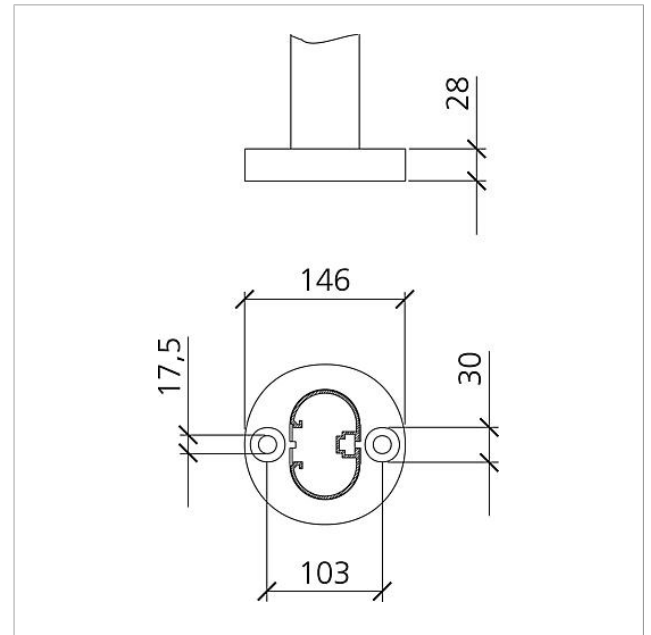
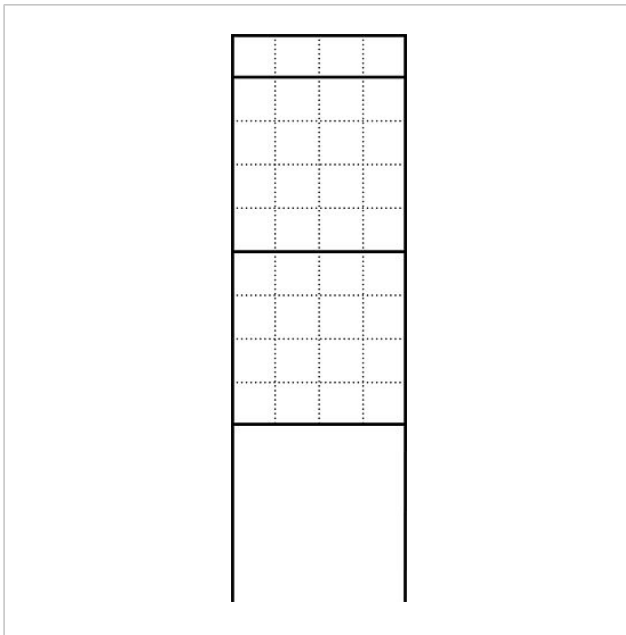
## Spare parts

Article designation	Article description	Colour	KG	SAP article no.
KS/KSF/KSFB/SR 61x-... SM	Screw cover	Silver metallic	E	210005311-00

Free-standing letterbox  
with upright columns  
BG/SR 611-4/9-0 SM

200023157

Page 2





Free-standing letterbox  
with upright columns  
BG/SR 611-4/9-0 SM

200023157

Page 3

---

BG/SR 611-... Free-standing letterbox with upright columns  REACH Information	Product information	1,4 MB	<a href="#">Download</a>
	Declaration of Conformity	140 kB	<a href="#">Download</a>
	Additional information	798 kB	<a href="#">Download</a>