

Flush-mount housing

GU 611-2/1-0

200016702-00



Product description

Flush-mount housing in dimensionally stable plastic, for fixture of the mounting frame MR 611-2/1-... using quick-release screw joints.

With prepared cable inlets, cable clamps and quick-release fixtures for the combination terminals. Mounting possible with hollow wall mounting accessory ZHB 612-... The housing units can be mounted one above the other and side by side using the provided accessories.

Specifications

Dimensions (mm) W x H x D: 100 x 200 x 50

Article information

Article designation	Article description	Colour/Material	KG SAP article no.
GU 611-2/1-0	Flush-mount housing	Grey	A 200016702-00

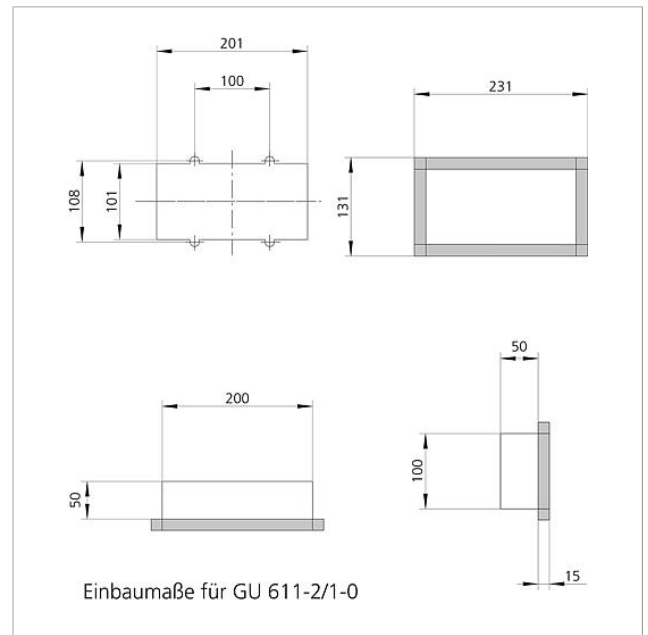
Accessories

Article designation	Article description	Colour/Material	KG	SAP article no.
MR 611-2/1-0	Mounting frame	Brass	B	200015590-00
ZHB 612-0	Hollow wall fastening accessory	Others	A	200016705-00
ZSB 611-0	Formwork wall fastener accessory	White	B	200016706-00

Flush-mount housing
GU 611-2/1-0

200016702

Page 2





Flush-mount housing
GU 611-2/1-0

200016702

Page 3

Vario 611 Mounting instructions

Product information

297 kB

[Download](#)

Declaration of Conformity

140 kB

[Download](#)

Additional information

140 kB

[Download](#)