

Door release
TÖ 615-0
200012256-00



Product description

Recessed door release with flat striker plate, grey hammertone finish, for right or left opening doors according to DIN.

Suitable for heavy front and internal doors, striker plate pre-drilled, release structured symmetrically. Catch bolt and cylinder adjustment possible after mounting. The release bolt can be adjusted in oval screw holes up to 4 mm on the horizontal.

Specifications

Operating voltage:	12 V AC
Operating current:	max. 400 mA
Coil resistance:	approx. 20 Ohm

Article information

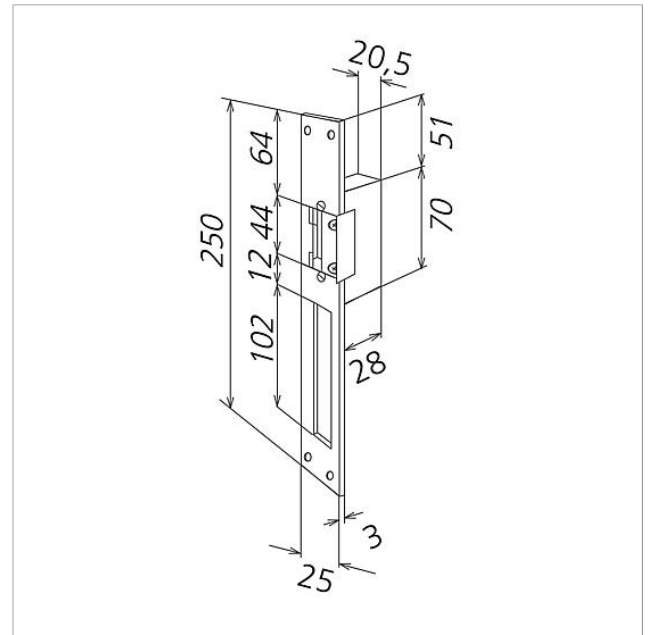
Article designation	Article description	Colour/Material	KG SAP article no.
TÖ 615-0	Door release	Others	C 200012256-00

Door release

TÖ 615-0

200012256

Page 2





Door release
TÖ 615-0

200012256

Page 3

Siedle Türöffner

Product information

148 kB

[Download](#)

Declaration of Conformity

140 kB

[Download](#)

Additional information

140 kB

[Download](#)