

Commissioning

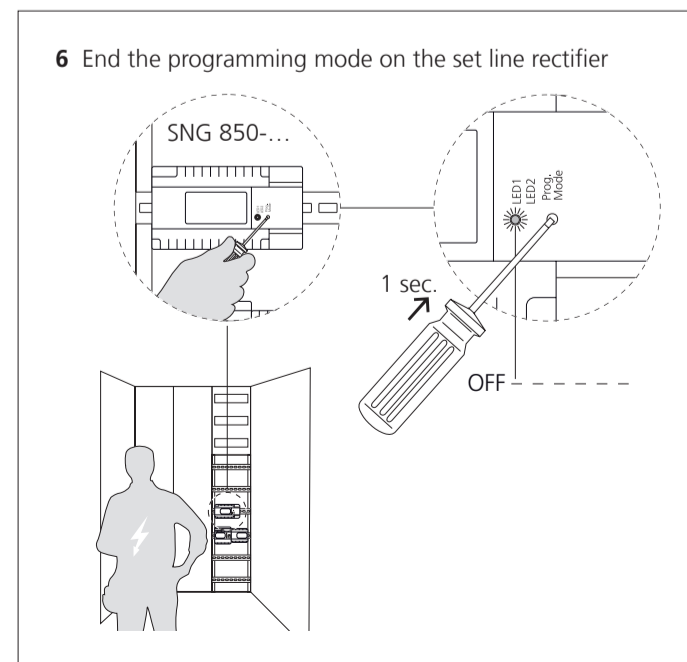
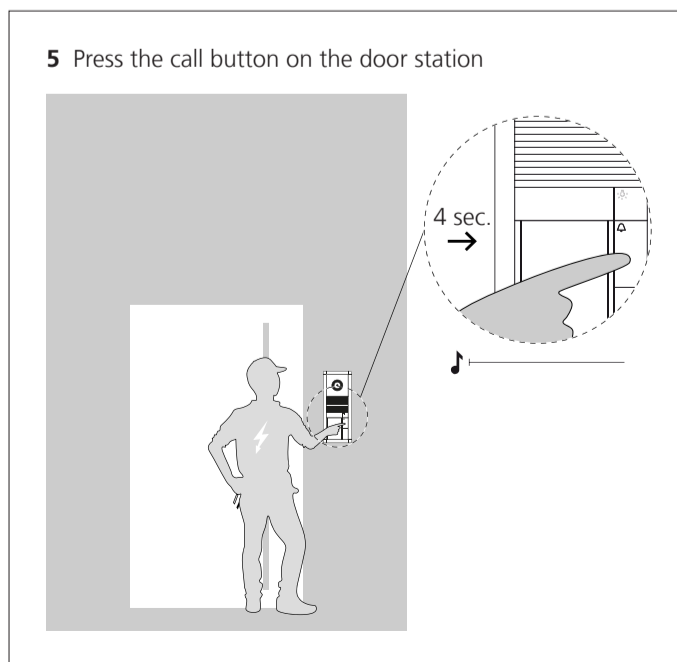
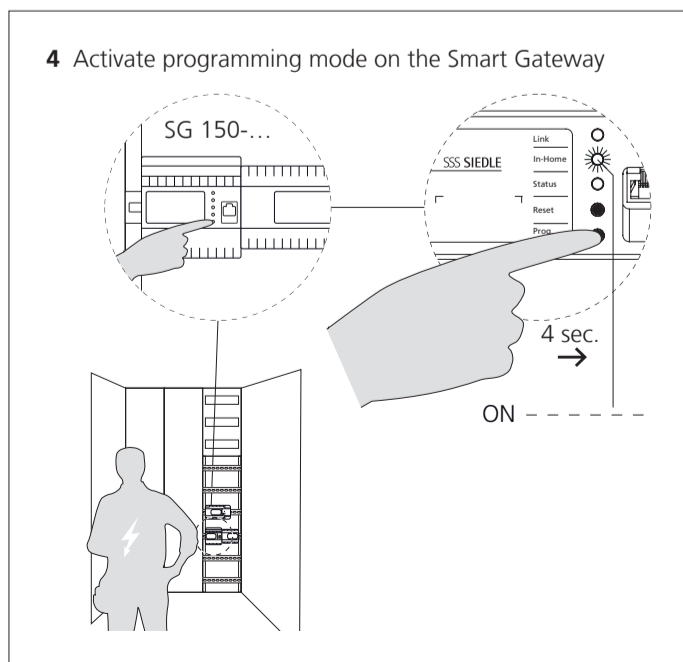
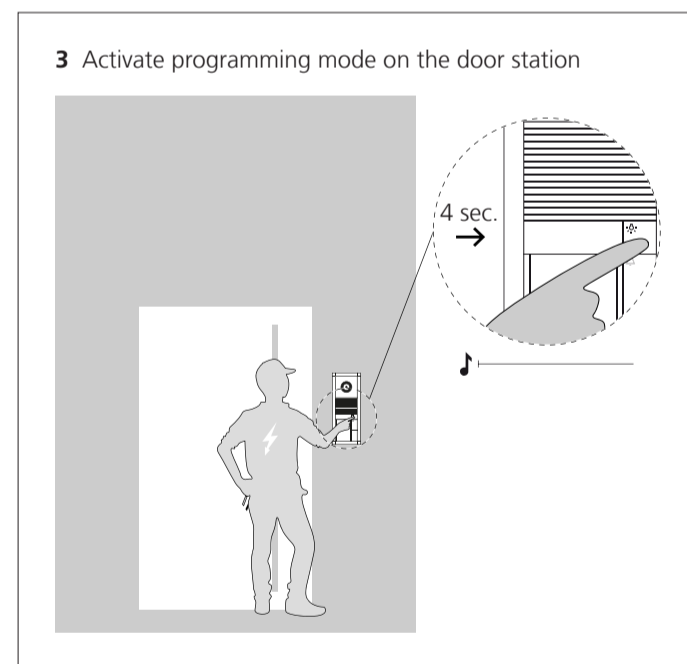
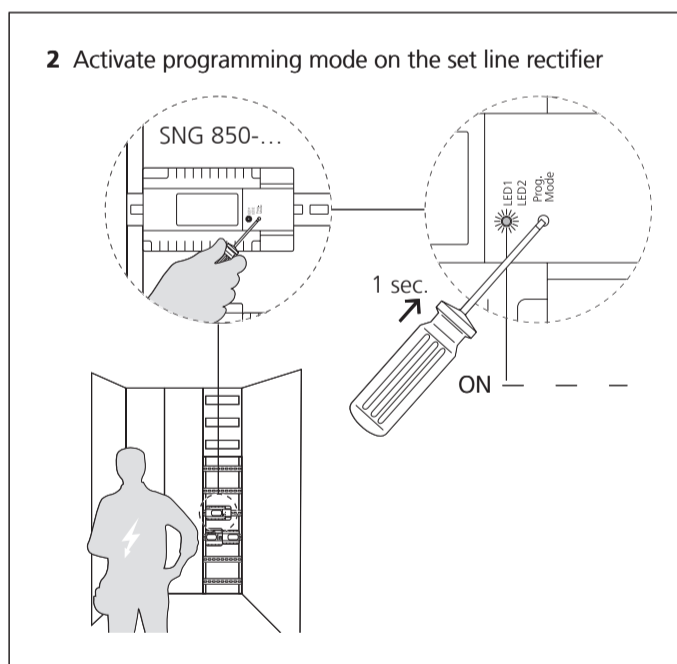
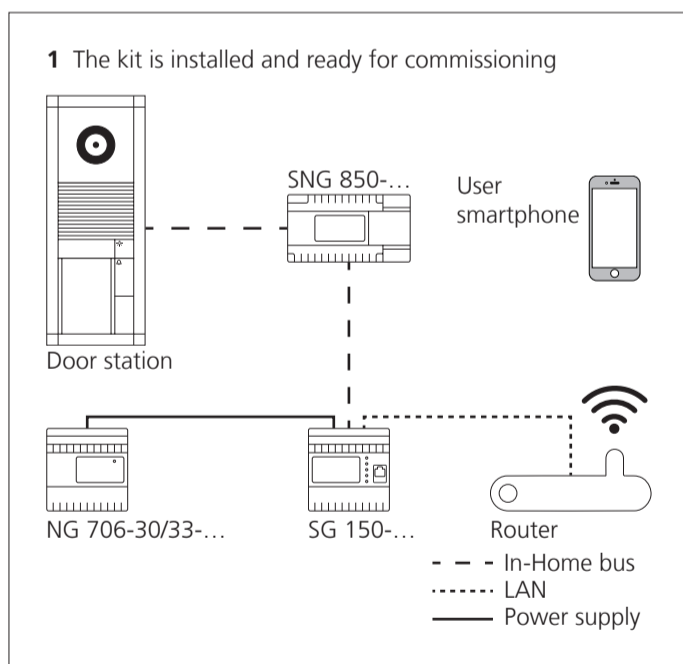
Smart Gateway Vario set



SET VVSG 850-1

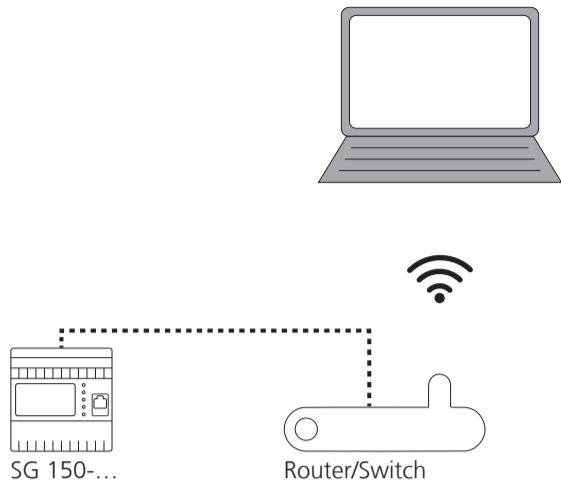
© 2020/04.21 Printed in Germany Best.-Nr. 2 10010135-01 EN

Commissioning brief instructions: In-Home bus

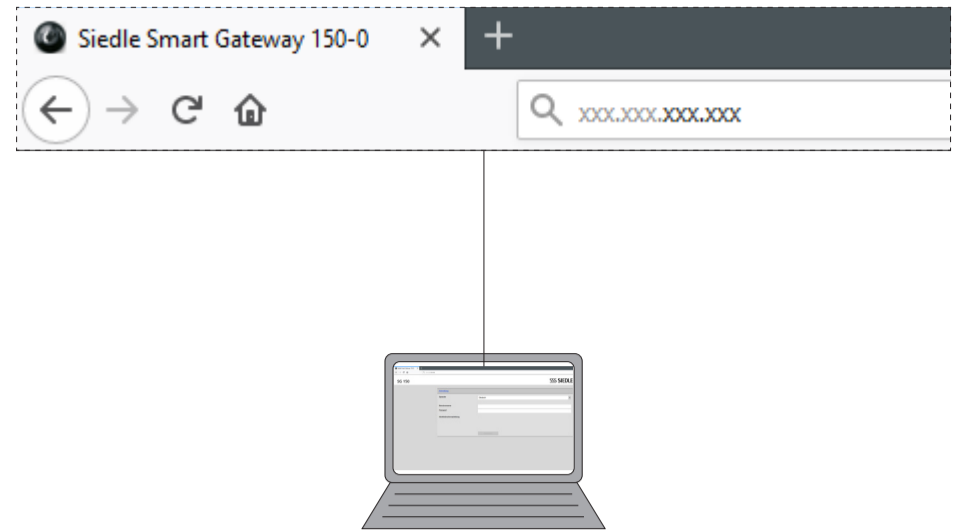


Commissioning brief instructions: Siedle App

7 Determine the IP address of the Smart Gateway SG 150-... in the network (router)



8 Call up the determined IP address of the SG 150-... in the browser



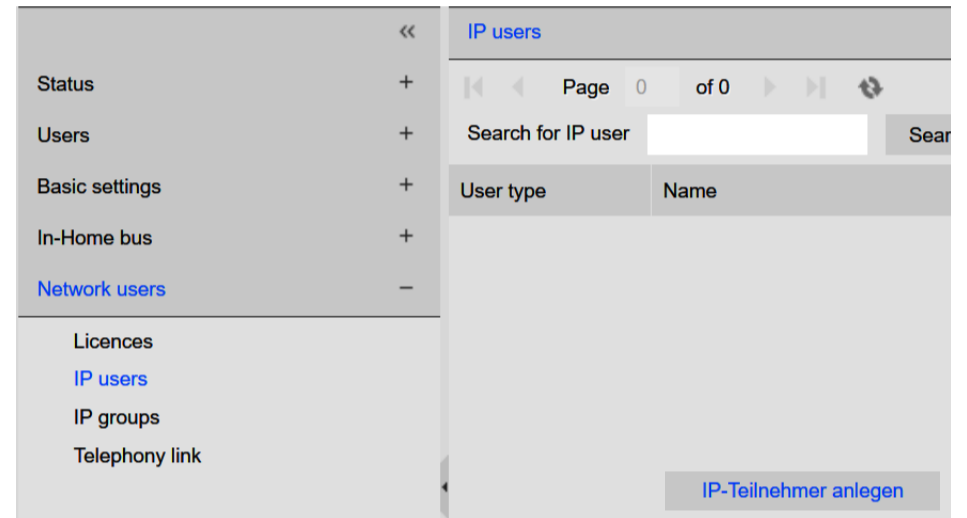
9 Login

The screenshot shows the login page for the Siedle Smart Gateway 150-0. The page includes the following fields and options:

- Assign new password**: Create a new password that meets the requirements.
- Language**: English
- New password**: [Redacted]
- Repeat new password**: [Redacted]
- Commissioning instruction**: [Redacted]
- Submit password**: Button at the bottom.

Issue a new password which complies with the stipulations.

10 Under "IP user", "Create an IP user"



Menu path: Network user > IP user

11 Select "Siedle App", fill out the data and click "Next"

The screenshot shows the 'IP users' page with the 'Siedle App' user type selected. The form includes the following fields and options:

- User type ***: Siedle App
- Name ***: Julia
- Direct dial ***: *2 11
- Bus address reference**: Virtueller Teilnehmer [01 01]
- App setup ***: Step 1: Setup app participant, Step 2: Scan QR-code

Enter name, callnumber and, if desired, a bus address reference.

Please note that an internet connection is required in order to use the Siedle App. The QR code is only available for a limited time.

Name: Freely selectable name for the user (e.g. Julia)

Bus address reference: Connection between the Siedle App and the door station (e.g. [01 ...])

12 Install the Siedle App on the user's smartphone



13 Scan the QR code with the Siedle App

The screenshot shows the 'IP users' page with the QR code for the user. The QR code is labeled 'Individual QR code of the user'.

If the user cannot be reached, print the QR code as a PDF and/or send it to the user for later.

14 Check app functions

